

15iE



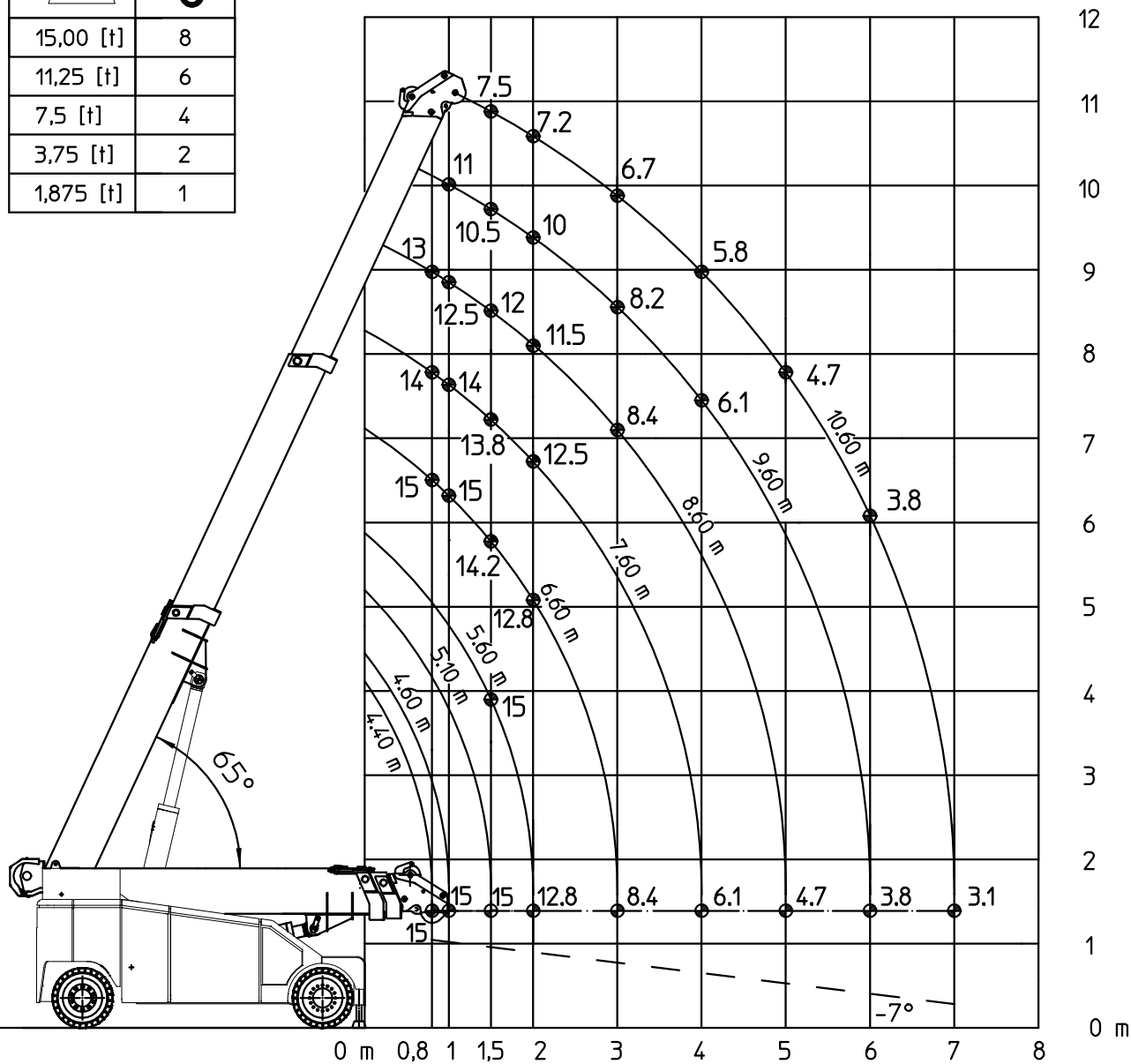
092825-1

<p>0+1</p>	<p>m</p> <p>4.40 – 10.60</p>	<p>0,43 m</p>
------------	------------------------------	---------------

2S

DIN

15,00 [t]	8
11,25 [t]	6
7,5 [t]	4
3,75 [t]	2
1,875 [t]	1



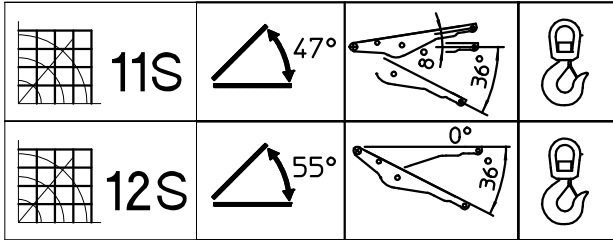
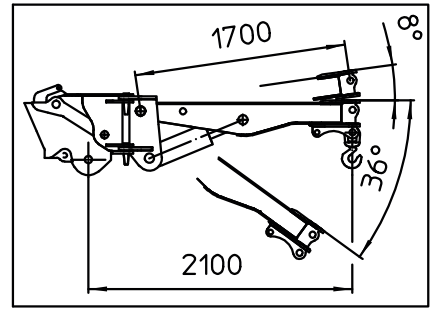
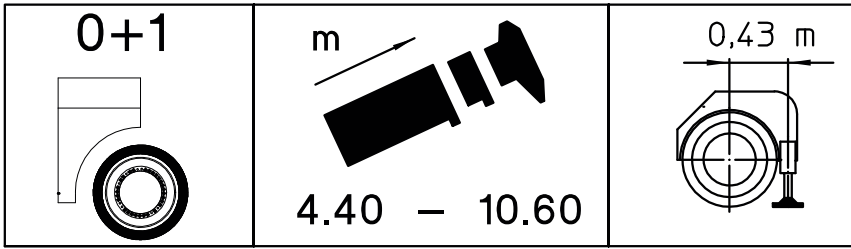
● ○ B6

48 km/h

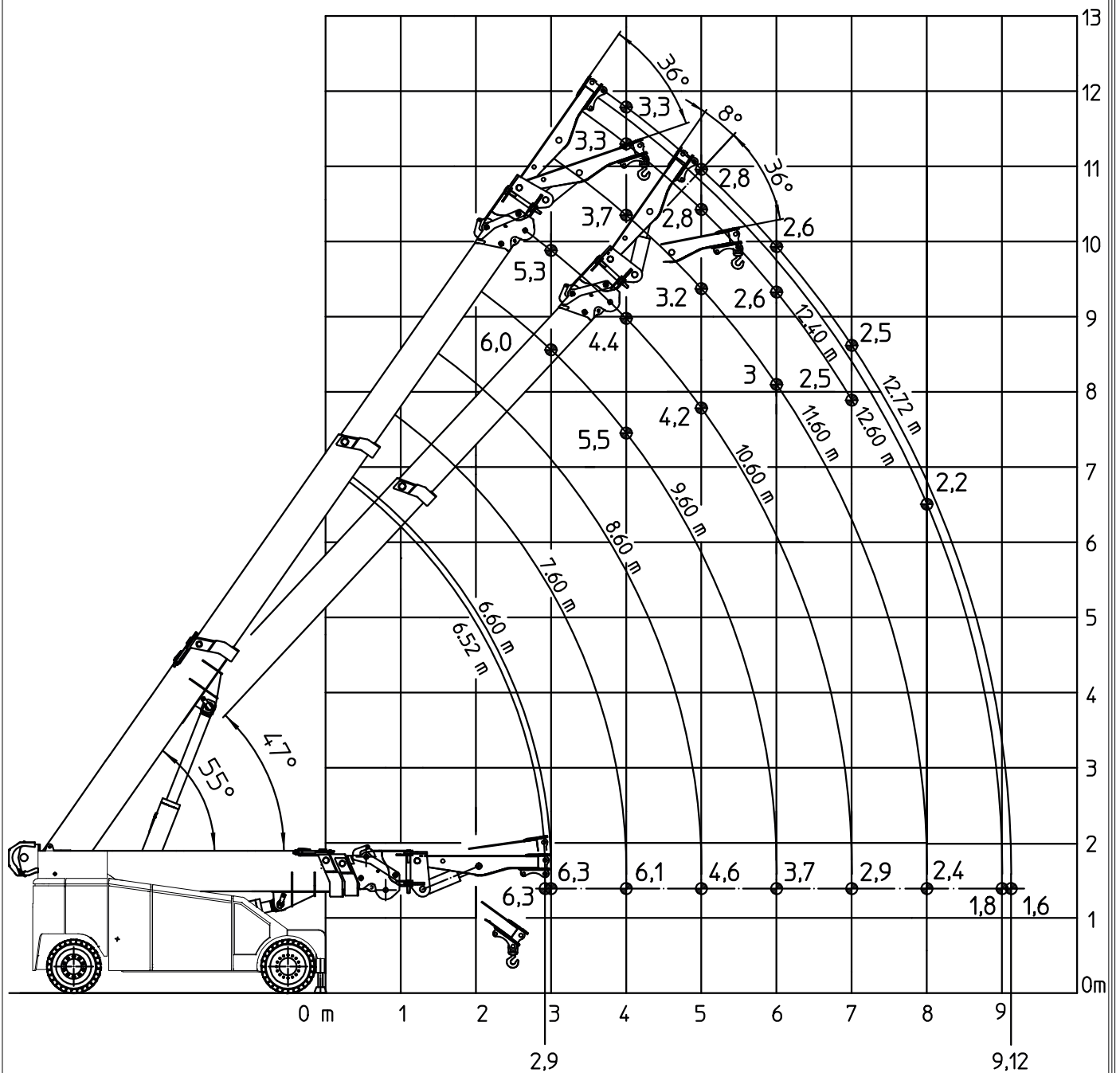
15iE



092853-1



DIN



● ○ B6  
48 km/h